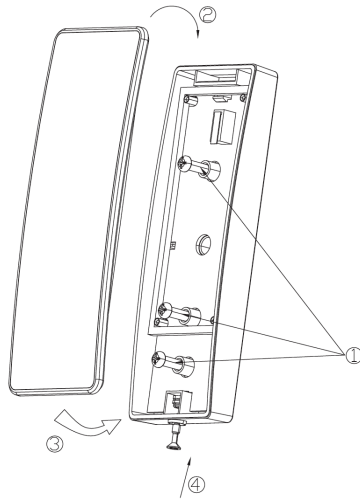


Mounting:

1. Install the back plate on the wall as shown in the diagram ①.
2. Clip the cover to the upper edge as shown in ②. Snap the bottom part as shown in diagram ③.
3. Tighten the non-dropout screw to the base of the reader and attach the reader to the back plate ④. Installation is completed.

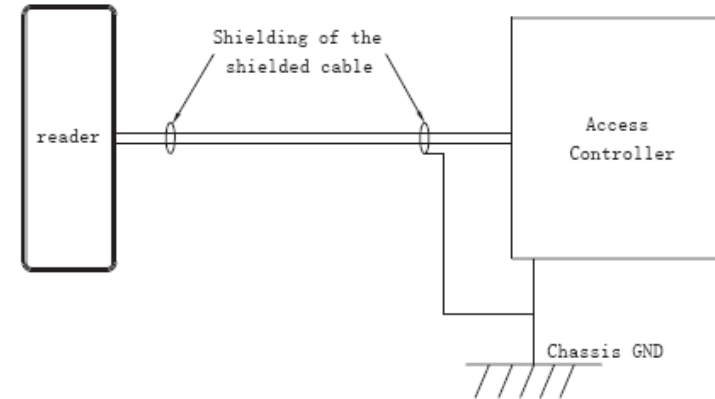


Specification:

Input Voltage (at Reader end)	DC9V~15V	Typical Read range	> 5cm
Operating Current	120mA (max)	Maximum Cable Length	150m
Operating Temperature	-30°C~70 °C		

Recommendation:

1. Linear DC Power Supply;
2. 22AWG shielded cable; "one-point" ground is required. (As shown in the diagram)



Wiring:

Color	Label	Description
Red	+12V dc	Power Supply to reader,VR1,VR2...VR4
Black	GND	Signal GND
Green	Data0	Wiegand Output data, I1D0,I2D0...I4D0
White	Data1	Wiegand Output data, I1D1,I2D1...I4D1
Yellow	Not Use	Not in use
Blue	LED	LED control, LED1,LED2...LED4
Brown	Buzzer	Buzzer input, active low ,Buz1,Buz2...Buz4
Orange	Tamper	Tamper output (open collector, Active low, max 100mA)
Purple	Doorbell	Door bell output (open collector, +5Vdc output ≤ 5mA)

Power up Sequence:

1. When the reader is first powered up, the green LED will blink for 5 second. Following a single beep, the reader is in Ready mode.
2. Present the card, the buzzer will beep once. The card data will thereafter be transmitted to the controller. The reader's back light will either remain on or flicker, in green or red, depending on the LED inputs.

Using the Configuration Card

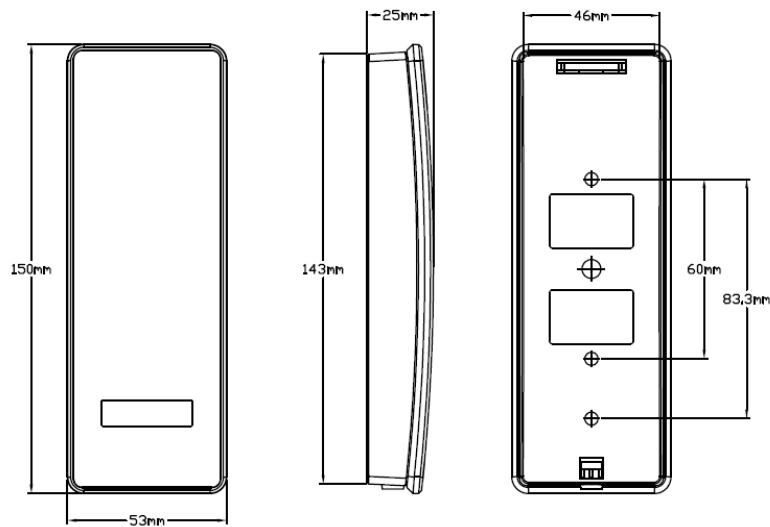
1. When the reader is powered up, the green LED will flicker for 5 seconds.
2. Present the Configuration Card. A 1-second beep indicates a successful attempt.

Configuration cards are available for:

- Keypad Format
 - 4 bits (Default) ○ 8 bits ○ Apollo 6 bits ○ 26 bits (Fixed Facility Code 190)
- LED Response Status
 - SpeedGuard LED (Default) ○ Cardax LED

Do contact your reseller for more details regarding the configuration cards

Physical Dimension:



Troubleshooting:

Trouble List	Solution
No Response when powered up	<ul style="list-style-type: none"> ● Discount the power and confirm that the power supply cable is correctly connected (See "Wiring" above). ● Check the input voltage is sufficient (See "Specifications" above).
Auto Restart	<ul style="list-style-type: none"> ● Check the input voltage is sufficient (See "Specifications" above).
Cannot read card number correctly	<ul style="list-style-type: none"> ● Check the format setting on the controller if it is the same as the card format. Use approved card (known format and Facility Code) to test. ● Check if the shield cable is correctly connected to Classis Ground at ONE point only.
Reader beeps but No card data info	<ul style="list-style-type: none"> ● Check if data 0 & data 1 cable is correctly connected (See "Wiring" above). ● Check the input voltage at the card reader end is correct (See "Specifications" above).
Buzzer error	<ul style="list-style-type: none"> ● Check if the buzzer cable is correctly connected (See "Wiring" above).
Keypad No Response	<ul style="list-style-type: none"> ● Power off reader for 5 seconds and power on again