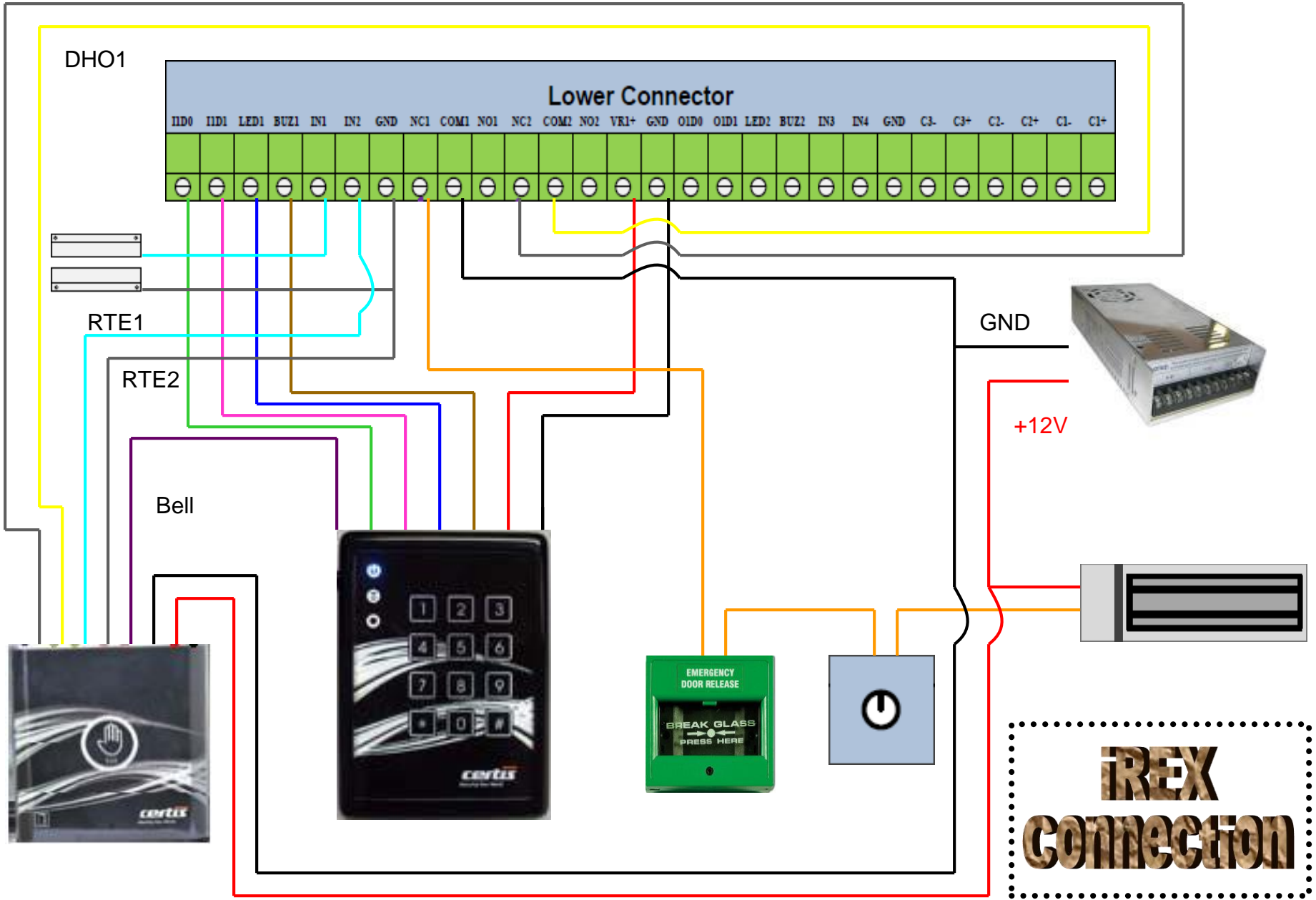
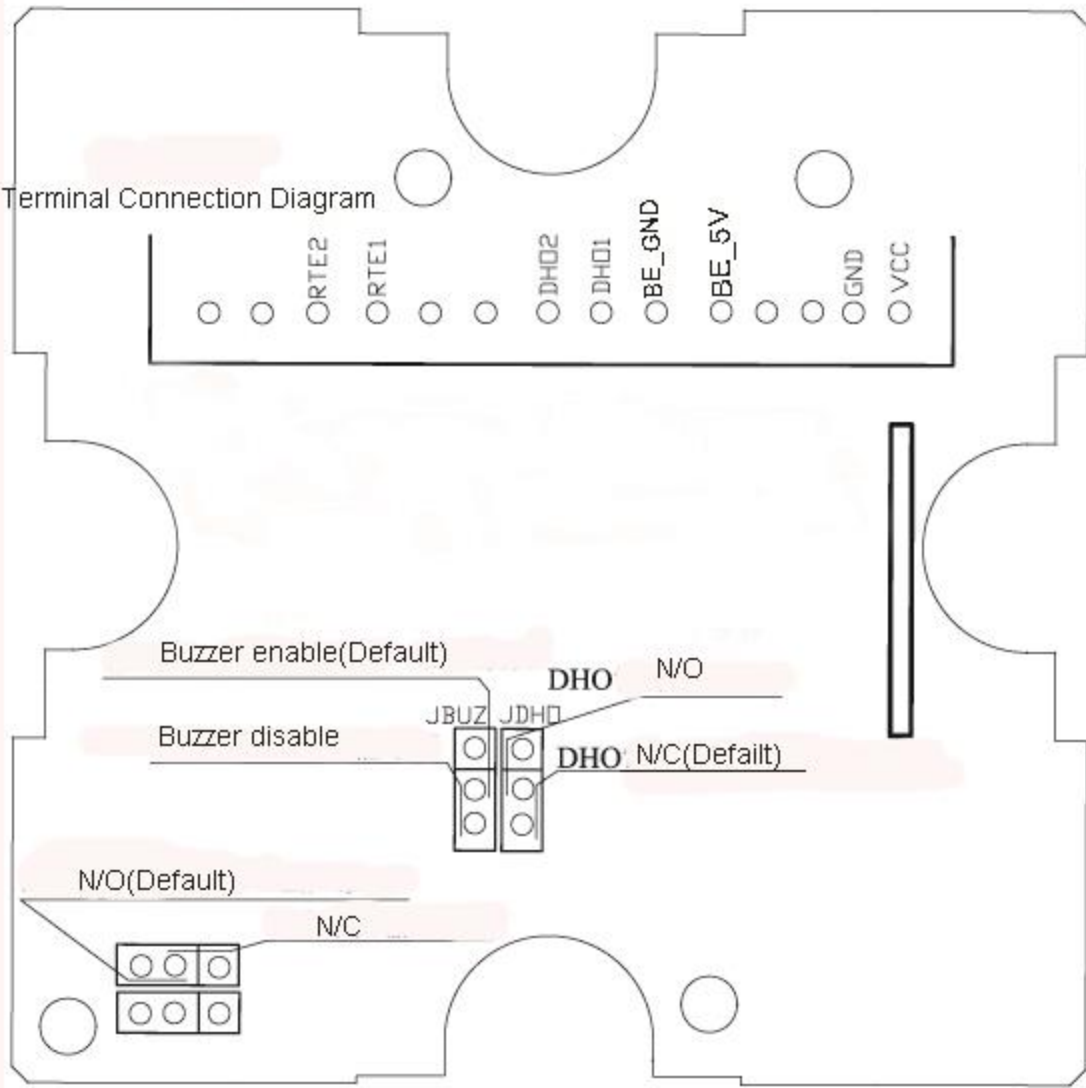


DHO2



# iREX Jumper Function Instruction

## Terminal Connection Diagram



- VCC----+12V Power
- GND----Ground
- RTE1----Request to Exit output 1
- RTE2----Request to Exit output 2
- DHO1----Door Held Open input 1
- DHO2----Door Held Open input 2
- BE\_5V---Doorbell high level input 5V
- BE-GND---Doorbell input GND